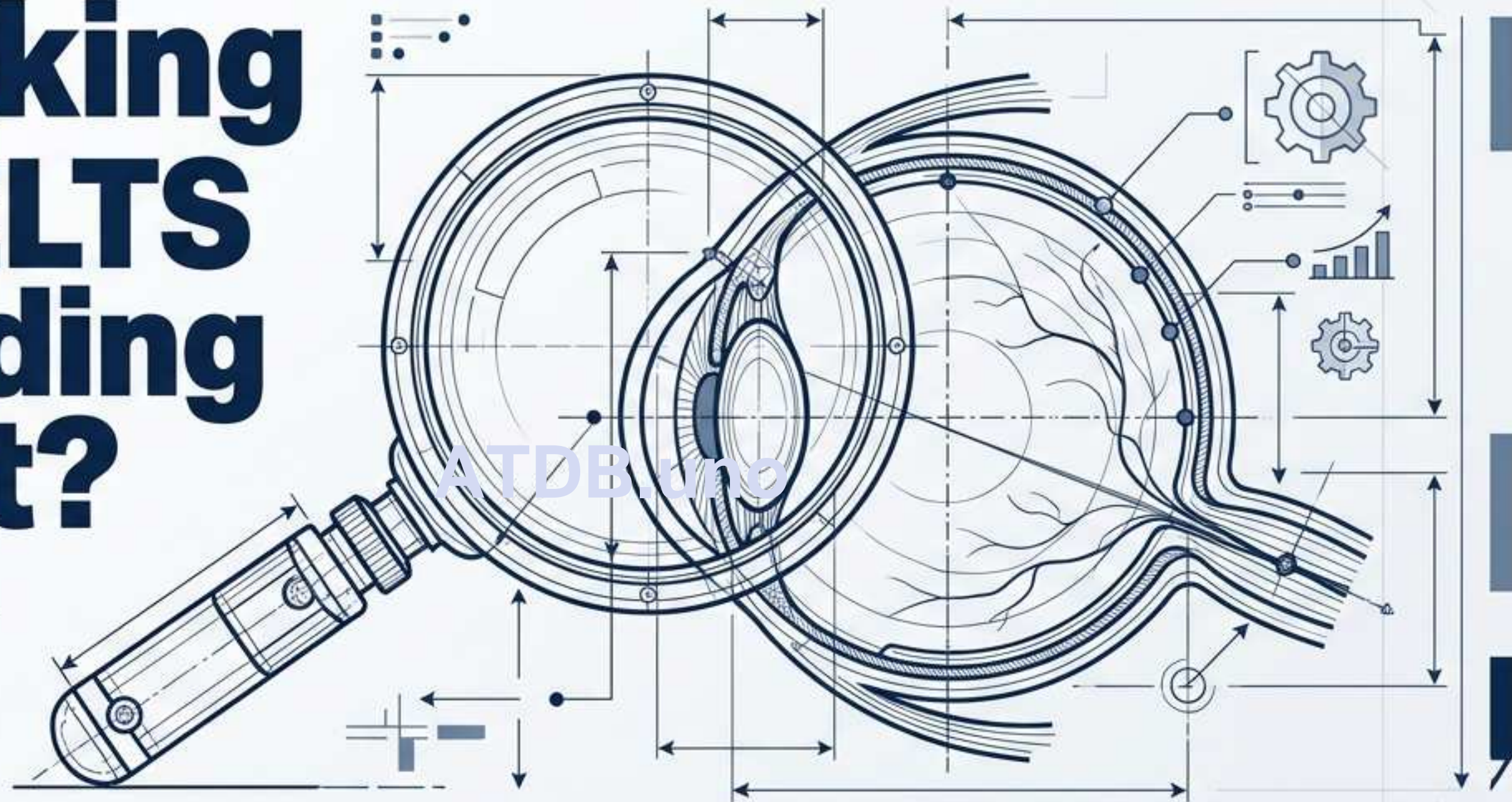


# Hacking the IELTS Reading Test?



Why viral 'tricks' fail, and the evidence-based strategies that actually unlock a Band 9.

**⚠ WARNING NEON CORAL**

## THE INTERNET PROMISE

Use this one killer strategy to magically answer all questions quickly.



Assessing language proficiency across multiple skills.

## THE OFFICIAL REALITY

Different questions test completely different sub-skills.



Evaluates comprehension through diverse question types.



Tests specific cognitive abilities and linguistic sub-skills.

**Key Takeaway: Viral hacks treat the test as a single obstacle. The test creators designed it as a multi-tool assessment.**

**MYTH #1: You only need ONE strategy to skim, scan, and solve the entire reading test.**

**THE REALITY: The test contains 11 distinct question types. You need 11 unique strategies.**



“Every question has one clear purpose to force you to use specific reading skills.” – Pauline Cullen (Cambridge IELTS Author)

Evidence Box

**Context Note:** The British Council designs separate lesson plans for matching headings, T/F/NG, and comprehension. If they teach them differently, you must test them differently.

# Case Study: Matching Headings

## The Shortcut That Becomes a Long Cut

1. Skim the paragraph quickly.

2. Scan the long list of headings.

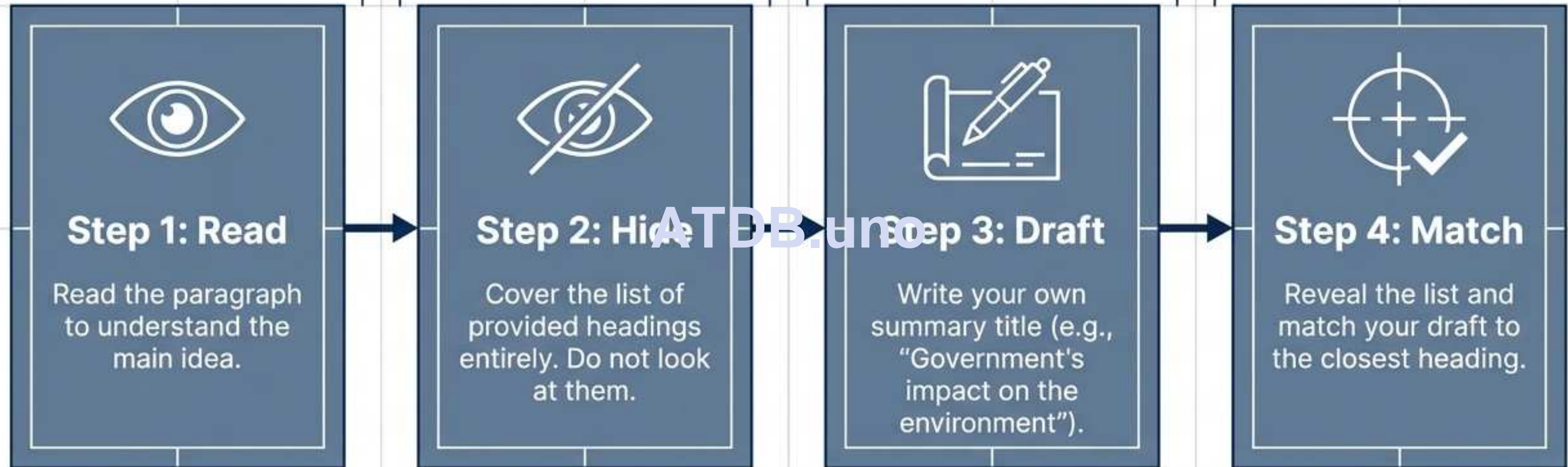
3. Result: "I'm completely lost." (Forced Guessing)



**Why it Fails:**  
Your brain tries to hold too many competing ideas from the headings list while scanning a complex text, leading to total cognitive overload.


ATDB.uno

# The Mastery Approach: Targeted Strategy





**Outcome:** Guaranteed accuracy. 'Like magic'—but actually just precise execution.

# True / False / Not Given

 Search Hacks

*Magic way!*  
*way!*  
*Secret tricks!*  
*Hack the logic!*

 **THE MYTH:** True/False/Not Given questions are designed to trick you and require secret logic hacks to solve. 


1670"

57.9"

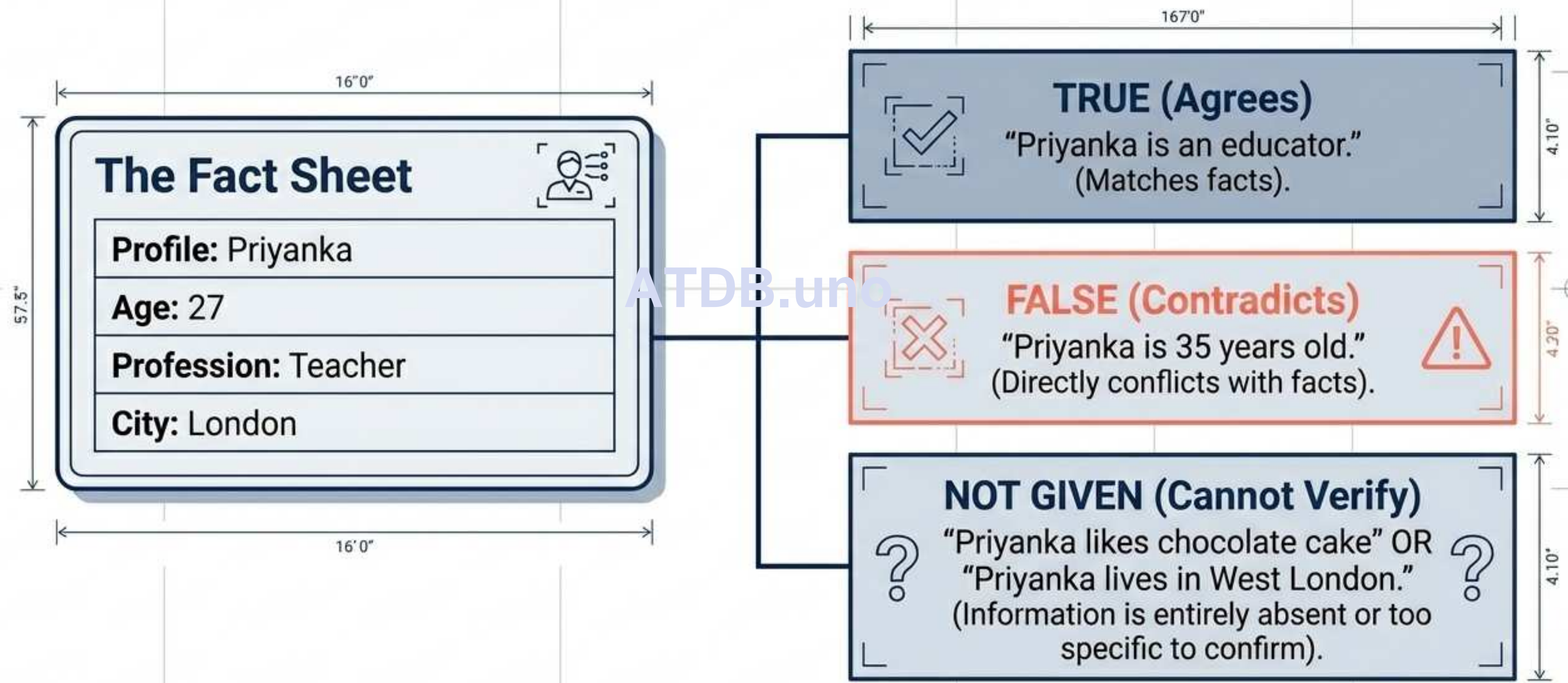
4.10"

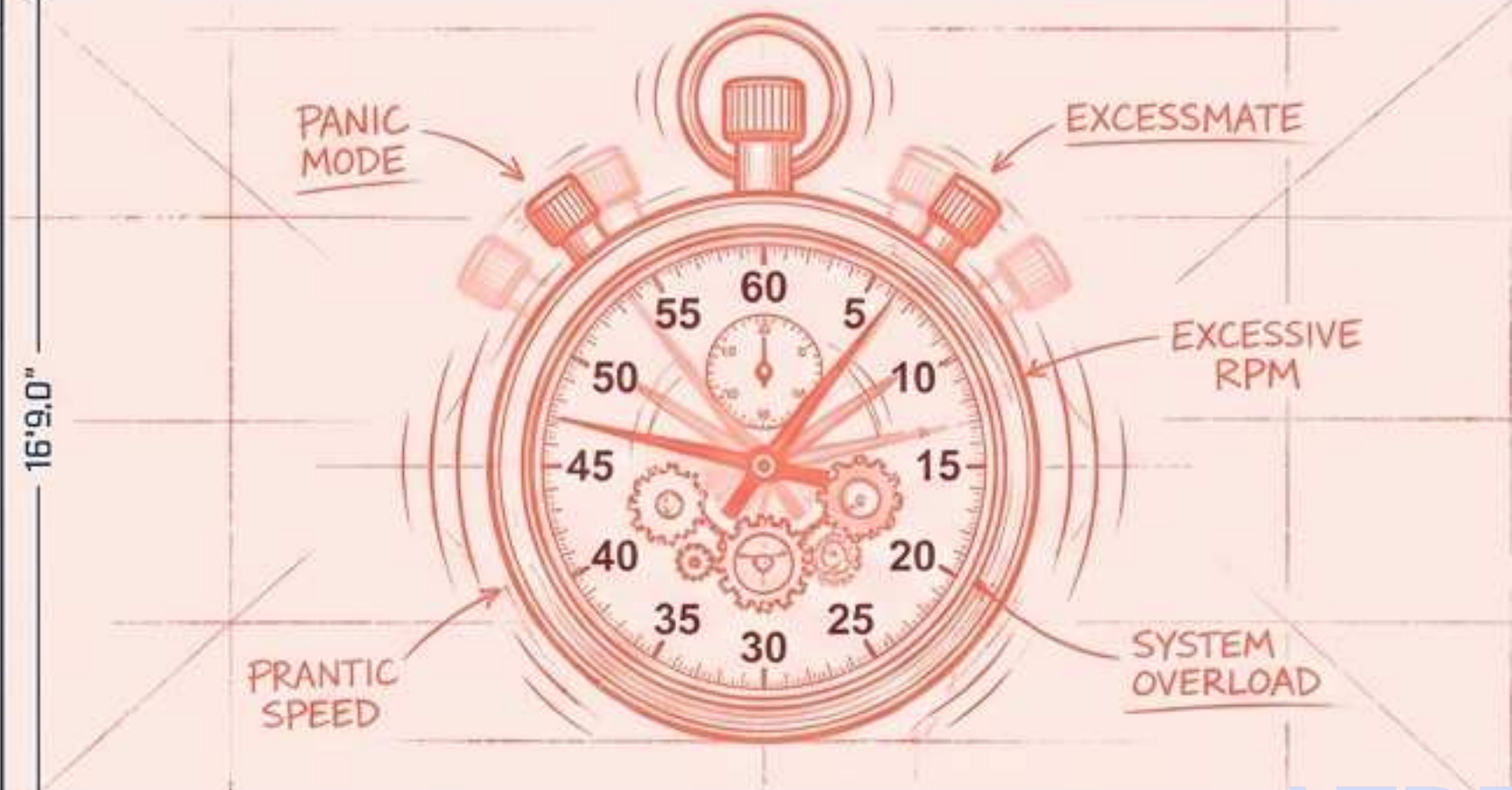


**THE REALITY:** T/F/NG simply requires a bulletproof understanding of definitions. No magic required.

 The IDP stated this clearly a decade ago, yet confusion persists because students seek tricks instead of comprehension.

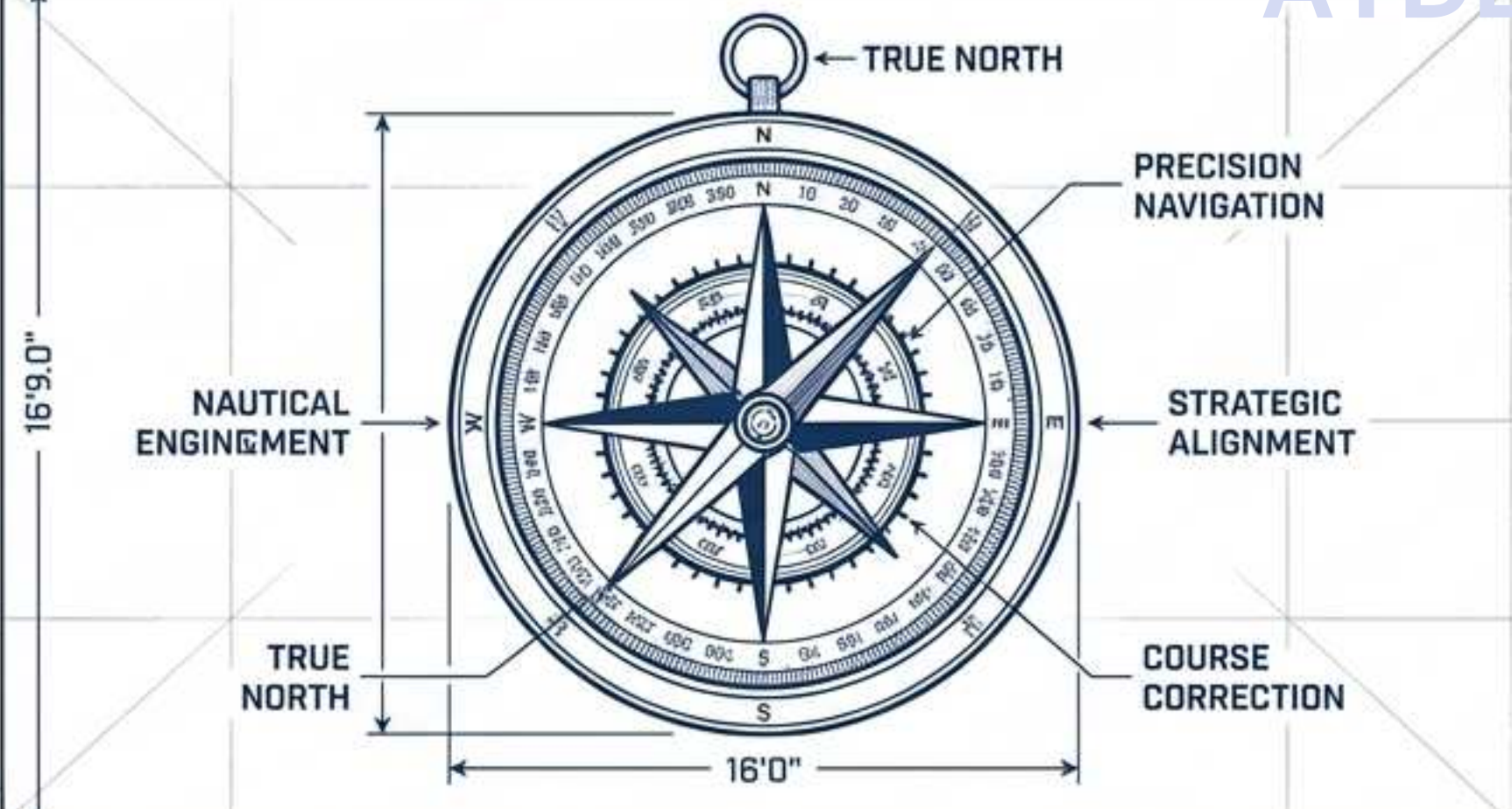
# The 'Personal Fact Sheet' Mental Model





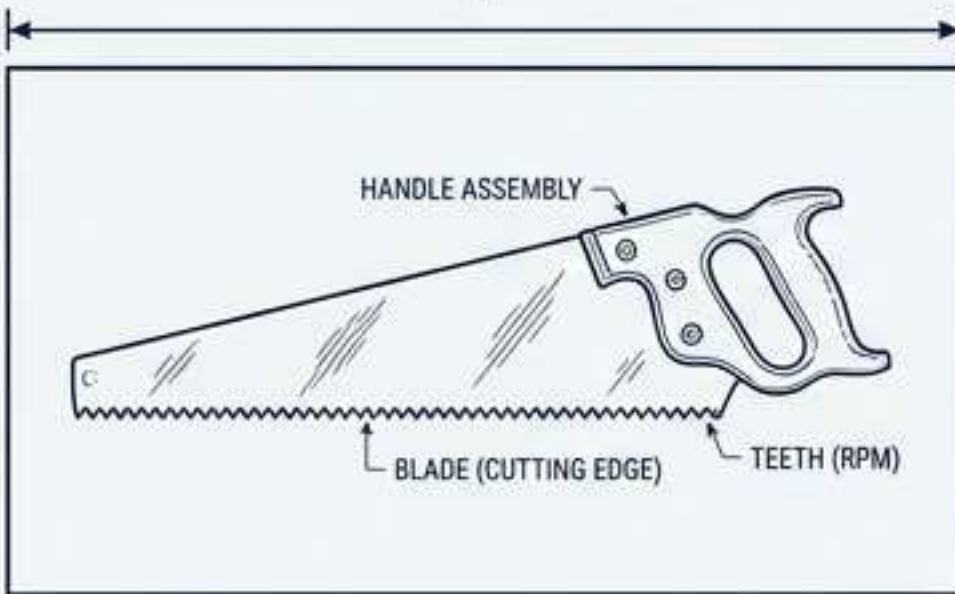
**THE MYTH:**  
 “Don’t read slowly.  
 Just skim and scan  
 everything to save time.”

ATDB.uno



**THE REALITY:**  
 Skimming and scanning are  
 individual tools, not an overarching  
 strategy. Using a shortcut without a  
 map just means you get lost faster.

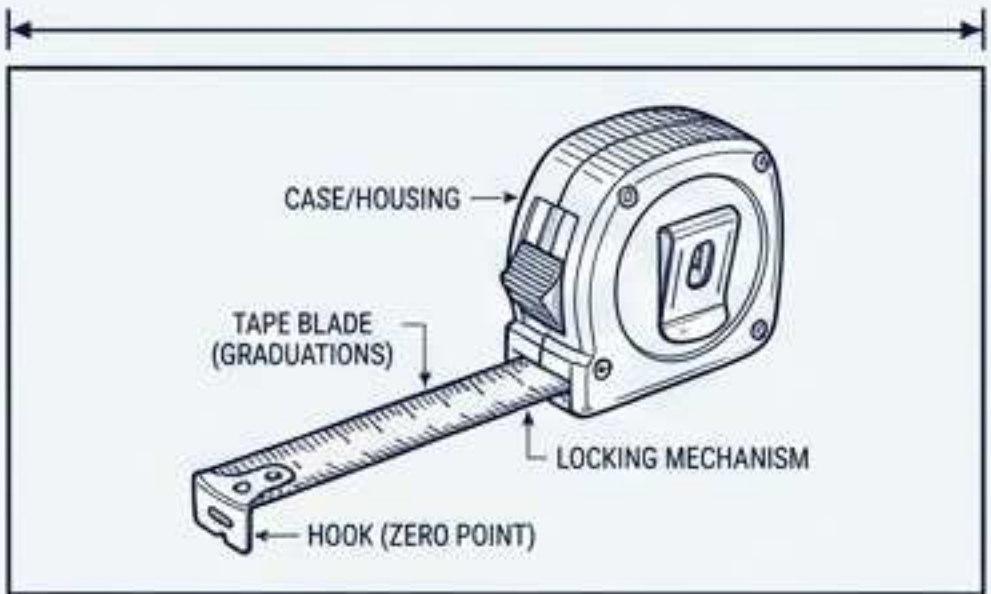
# The Reading Toolkit



## Skimming (The Saw)

**Function:** Reading quickly for general meaning (Main idea).

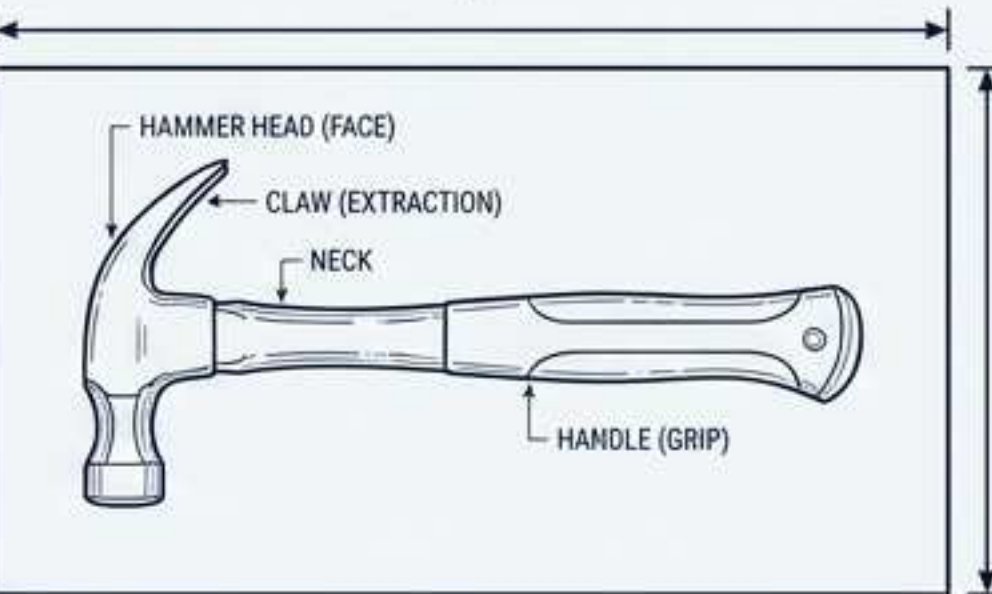
**✗ Fails when:** You need precise answers or specific details.



## Scanning (The Tape Measure)

**Function:** Looking for a specific keyword or number to find a location.

**✗ Fails when:** The test relies heavily on synonyms or paraphrasing.



## Close Reading (The Hammer)

**Function:** Reading in absolute detail to fully understand.

**✗ Fails when:** Used on the whole text (you will run out of time).

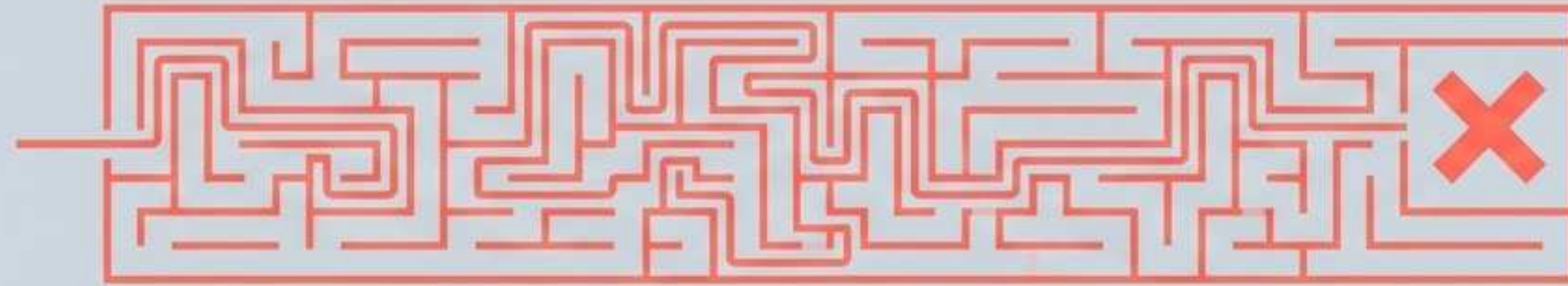
# The Ultimate Strategy Framework

Question Type	Primary Skill Tested	Required Tool Sequence	Risk of 'Hacking'
Matching Headings	Main Idea	Close Read (Paragraph) -> Draft -> Match	High (Getting completely lost)
True/False/Not Given	Detail Verification	Scan (for keywords) -> Close Read (specific sentence)	High (Falling for synonym traps)
Comprehension	Fact Finding	Skim (for structure) -> Scan (for detail)	Medium

**TAKEAWAY: Strategy dictates the exact order you deploy your tools.**

# The ROI of Real Strategy

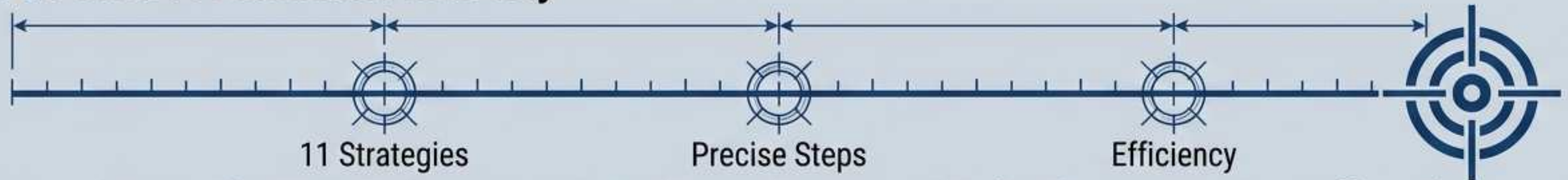
## Path A: The Illusion of Speed



Relying on generic tricks -> Misunderstanding the passage -> Failing repeatedly.  
**Result: Shortcuts become long cuts.**

ATDB.uno

## Path B: Predictable Mastery

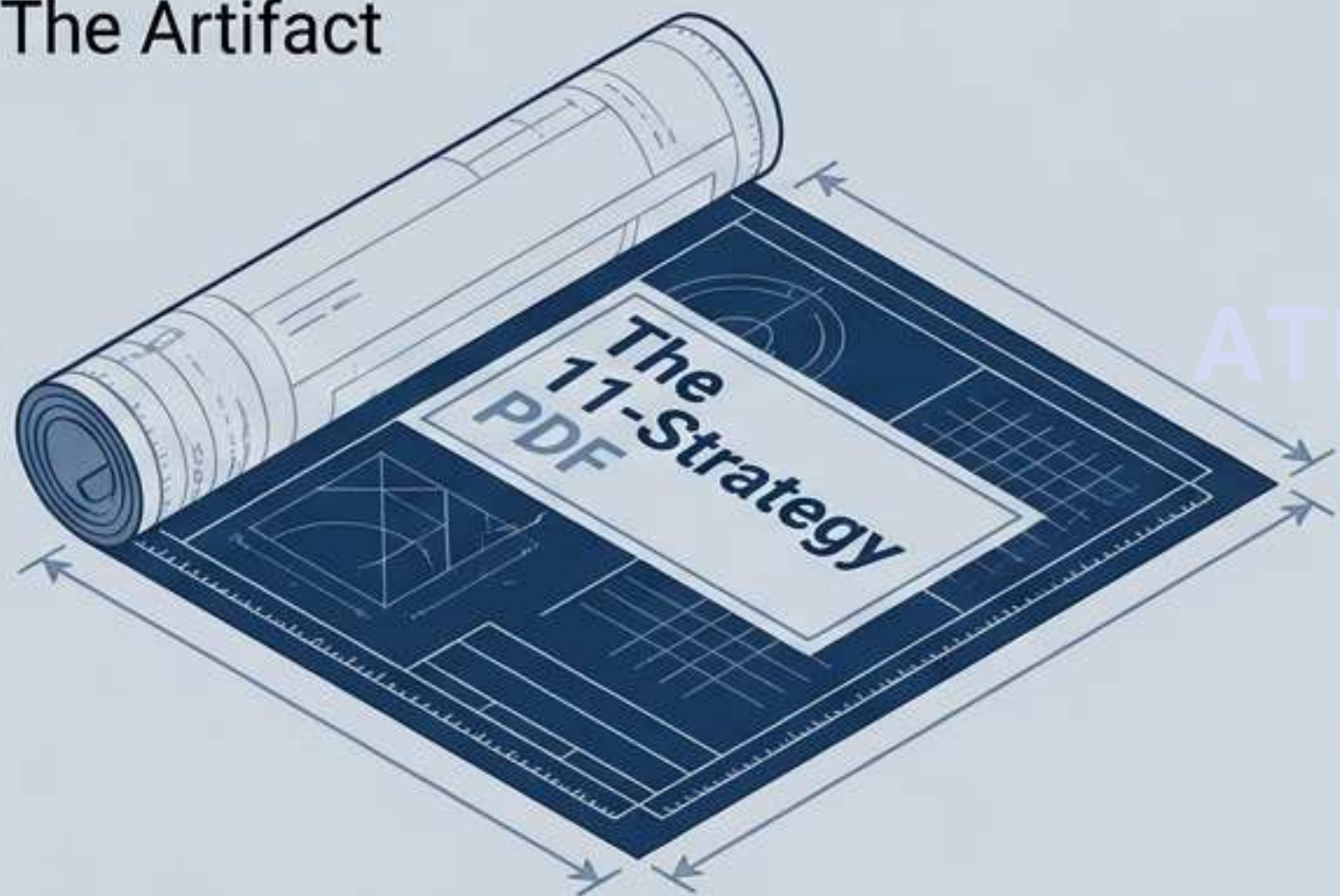


Learning the 11 strategies once -> Executing precise steps -> Finding the correct answer efficiently.  
**Result: Passing the first time.**

**Key Insight:** Your job on test day is to find the correct answer, not to get through the reading as quickly as possible.

# Stop Guessing. Start Executing.

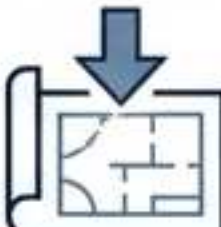
The Artifact



The Action Plan



**1. Find Your Blind Spots.**  
Watch our diagnostic video to identify exactly which of the 11 question types are dragging down your score.



**2. Get the Blueprint.**  
Download the free 11-Strategy IELTS Reading Blueprint to get the step-by-step tool tool sequence for every question type. (Link in description)

Pick one trusted methodology. Master the tools. Get your Band 9.